

DUCT DETECTORS

Intelligent Duct Detector Housing DNRE

The DNRE duct detector housing is used together with AP200-series intelligent smoke detectors.

An improved cover design isolates the sensor head from the low-flow feature for simple maintenance. A cover tamper feature was added to indicate a trouble signal for a removed or improperly installed sensor cover. The housing provides a 20 mm conduit knockout and ample space to facilitate easy wiring and mounting of relay module.

The DNRE together with a AP200-series smoke detector is compatible the LC loop interface of the FX fire detection system.



Technical data

Operating voltage	See connected detector datasheet
Current consumption	See connected detector datasheet

Accessory current loads at 24 VDC	
RA100Z	Standby 0 mA Alarm 12 mA max
RTS451/RTS451KEY	Standby 0 mA Alarm 12 mA max

Dimensions (mm)	
Rectangular (L x W x D)	370 x 127 x 64
Square (L x W x D)	197 x 229 x 64
Weight	0,82 kg
Air duct velocity	1,5 to 20,3m/s
Operating temperature	-20°C to 70°C
Operating humidity	0% to 95% non condensating
IP Rating	IP20
Product code	
DNRE	FFS06716421

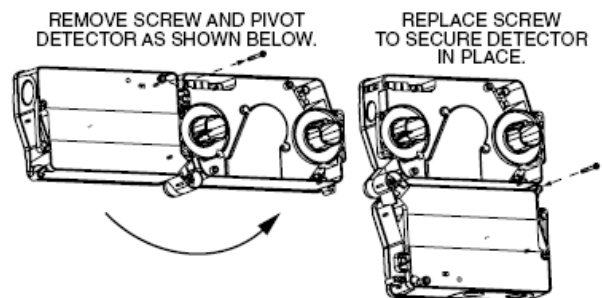
Schneider Electric reserves the right to modifications.

Accessories

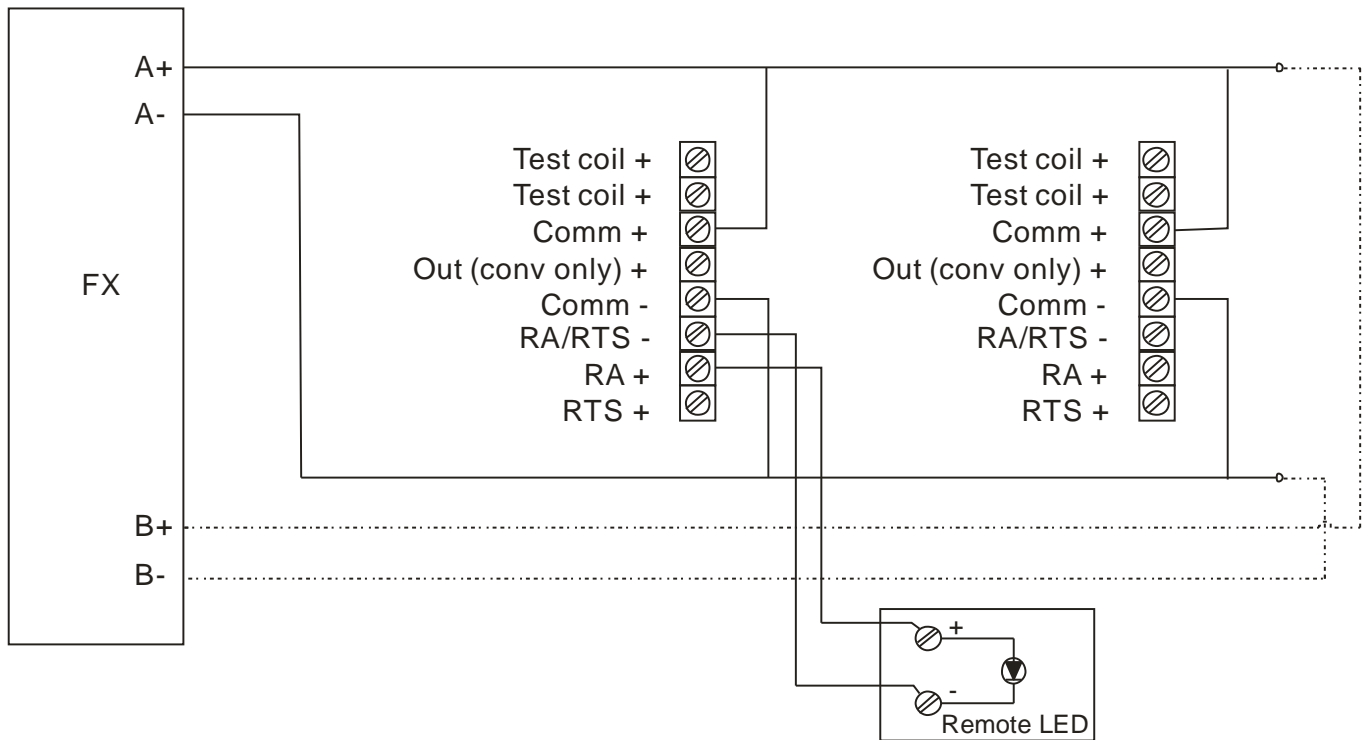
Product	Description	Code
DST1	Sampling Tube for 30 cm Duct	FFS06716412
DST1.5	Sampling Tube for 30-61 cm Duct	FFS06716413
DST3	Sampling Tube for 61-122 cm Duct	FFS06716414
DST5	Sampling Tube for 122-244 cm Duct	FFS06716415
DST10	Sampling Tube for 244-360 cm Duct	FFS06716416

Pivot housing

The DNRE duct detector features a pivoting housing that fits both square and rectangular footprints capable of mounting to a round or rectangular duct.



Connections



DNRE housing construction

