

321D2, 321BD2, 321PD2, 321PBD2 MULTISENSOR

The Multisensor is a compact unit and DALI-2 certified input device that combines a light sensor for constant light control and a passive infrared (PIR) presence detector to provide energy-saving functions in a DALI system.

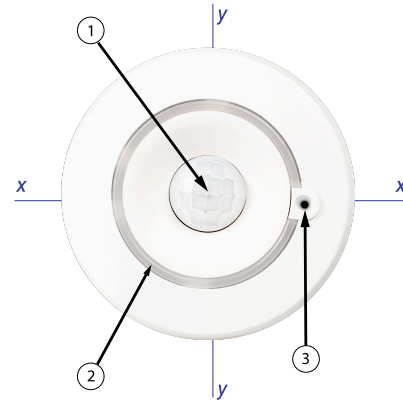
The light sensor measures reflected light from the surface directly beneath it. The unit uses this information to maintain a constant light level by adjusting the lamp outputs.

The PIR sensor enables the Multisensor to switch the lights on when its coverage area is occupied, and off when it is unoccupied.

The sensor's settings are adjusted using Helvar's Designer software.

Due to its excellent detection performance, the Multisensor is especially suitable for applications where small or slow movements take place for extended periods of time, such as offices or classrooms. Since its detection sensitivity is less dependent on movement direction than that of most PIR sensors, fewer units are required to reliably cover a target area.

The unit can be mounted into a ceiling void or onto a solid surface using Helvar's SBB-C (white) or SBB-CB (black) mounting box (sold separately).

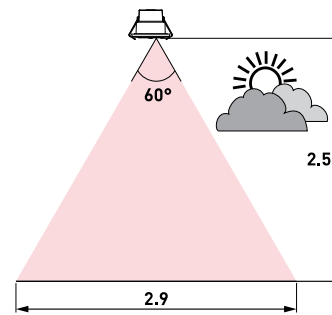


1. PIR sensor
2. Status LED
3. Light sensor

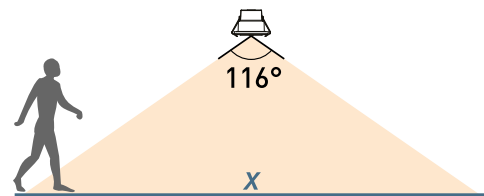
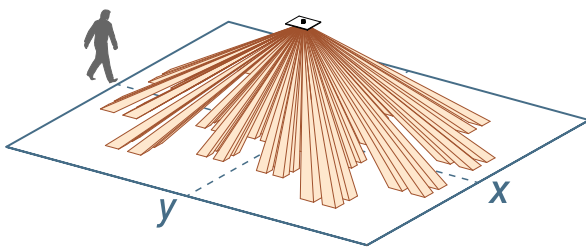
Key Features

- Excellent detection performance through high sensitivity and multidirectional coverage.
- Programmable constant light control for energy efficiency.
- 10 mA DALI current consumption.
- Compact and functional design.
- Programmable in Designer.
- DALI-2 certified input device.

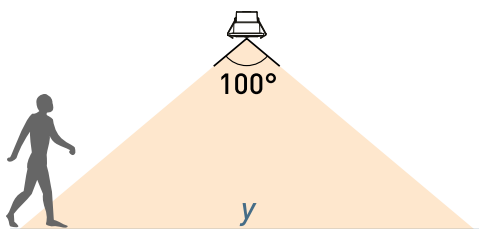
Constant Light Coverage



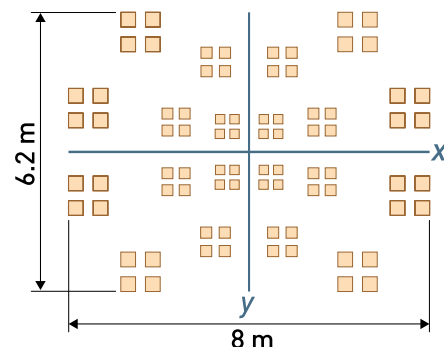
Presence Detection Coverage at 2.5 m Height



X-Axis Coverage

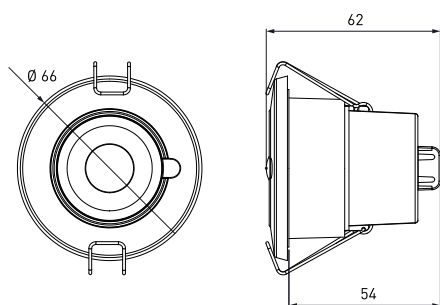


Y-Axis Coverage

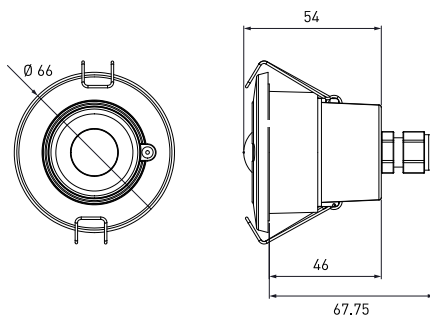


Detection Pattern at Floor Level

Dimensions (mm)

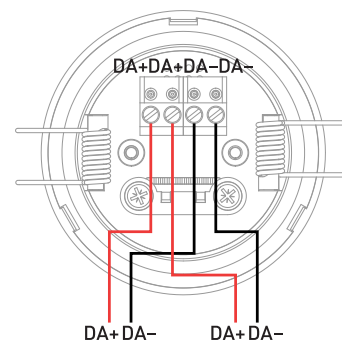


321D2, 321BD2



321PD2, 321PBD2

Connections



Technical data

Connections	
DALI:	Removable connector block
Wire section:	0.5 mm ² – 1.5 mm ² solid or stranded
Cable rating:	All cables must be mains rated.

Electrical Data	
DALI supply input:	12 V – 22.5 V
DALI consumption:	10 mA Max

Sensors	
Light sensor:	For constant-light functions
Presence detector:	Passive infrared (PIR)

Operation	
Start-up time:	≤1 sec

Operating and storage conditions	
Ambient temperature:	0 °C to +50 °C
Relative humidity:	Max. 90 %, noncondensing
Storage temperature:	-10 °C to +70 °C

Compatibility	
Router:	950
Designer:	5.8.2 or later

Mechanical data	
Max. recommended mounting height:	4 m
Presence detection coverage area:	46 m ² @ 2.5 m mounting height
Mounting hole diameter:	51 mm +/- 1 mm
Note: If replacing older sensor then 52 mm to 55 mm mounting hole is acceptable.	
Ceiling thickness:	Maximum 25mm
Bezel diameter:	66 mm
Recommended clearance depth:	10 cm (with cable cover, incl. 5 cm for cabling)
Material (casing):	Nonflammable PC/ABS (UL94-V0)
Finish/Colour:	321D2, 321PD2: Semi-matt / White RAL 9003 321BD2, 321PBD2: Semi-matt / Anthracite grey RAL 7016
Weight:	66.3 g
IP rating:	321D2, 321BD2: IP30 [IP20 cable cover] 321PD2, 321PBD2: IP65

Conformity and standards	
Conformity:	
DALI:	IEC62386, Parts 101, 103, 303 and 304
EMC emission:	EN 55015
EMC immunity:	EN 61547
Safety:	EN 61347-2-11
Environment:	Complies with WEEE and RoHS directives.