

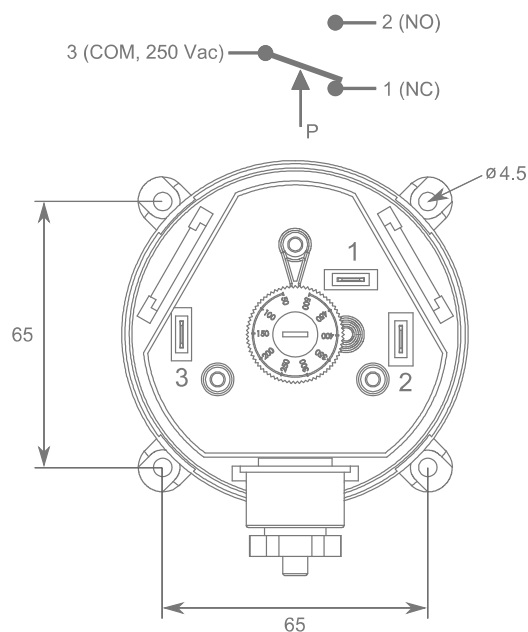
DIFFERENTIAL PRESSURE SWITCH PEK

PEK switches are designed for monitoring over and under pressures and pressure differences in systems that handle air and other non-flammable gases. Typical applications are monitoring of fans and filters in ventilation systems.

Switching point is set during commissioning.

It is recommended to install the switch in vertical position and process connections downwards. For example, the switching pressure is 20 Pa bigger if the switch is installed horizontally with cover upwards.

Wiring



Technical data

Ranges	Switching range	Hysteresis
PEK 300	20...300 Pa	10 Pa
PEK 400	30...400 Pa	15 Pa
PEK 500	50...500 Pa	20 Pa
PEK 1000	200...1000 Pa	100 Pa
PEK 2500	500...2500 Pa	150 Pa
PEK 5000	1000...5000 Pa	250 Pa
Output relay	250 Vac, 1,5 A res. 250 Vac, 0,4 A ind.	
Number of switching operations	> 10 ⁶	
Accuracy	±15 % from the set value	
Maximum allowed overpressure	10 kPa	
Process connections	2 x Ø 6 mm plastic pipe	
Cable gland	M16	
Ambient temperature	-20...+85 °C	
Housing	IP54	
Dimensions (w x h x d)	85 x 102 x 58 mm	

Ordering guide:

Model	Product number	Description
PEK 300	1240310	differential pressure switch, range 20...300 Pa
PEK 400	1240320	differential pressure switch, range 30...400 Pa
PEK 500	1240330	differential pressure switch, range 50...500 Pa
PEK 1000	1240340	differential pressure switch, range 200...1000 Pa
PEK 2500	1240350	differential pressure switch, range 500...2500 Pa
PEK 5000	1240360	differential pressure switch, range 1000...5000 Pa
PEK-AS	1240300	accessory kit for PEK and CPS differential pressure switches

Products fulfil the requirements of directive 2004/108/EY and are in accordance with the standards EN61000-6-6: 3 (Emission) and EN61000-2001-2: 2001 (Immunity).