

TEP NTC 10 - Strap-on temperature sensor



TEP NTC 10 temperature sensor is designed for automatic HVAC systems to detect radiator temperatures.

Temperature is detected by an NTC 10 element with a nominal resistance of 10 k Ω at 25 °C.

Housing is made of heat-resistant plastic. The cover and the terminal blocks are tilted 45° to provide easy installation.

Sensor is mounted on the pipe by using an adjustable tie.

Technical specifications

Property	Value
Sensor	10 k Ω NTC element
Accuracy	$\pm 0,2$ °C (at 25 °C)
Range	-50...+120 °C
Wiring terminals	0,14...1,5 mm ² screw terminals, tilted to 45° angle.
Mounting	By an adjustable tie on the pipe.
Adjustable tie	
Pipe dimensions	Ø40...90 mm
Materials	Stainless steel 430 and zinc plated screw.
Probe	
Dimensions	41 x 15 x 6 mm
Material	Zinc casting
Housing	
Material	PC plastic
Cable entry	M16
Protection class	IP54, cable or stem downwards
Dimensions (w x h x d)	70 x 95 x 48 mm

Sensor resistance at different temperatures

°C	Ω
-50	672600
-45	473370
-40	337270
-35	243120
-30	177000
-25	130400
-20	97120
-15	72980
-10	55340
-5	42340
0	32660

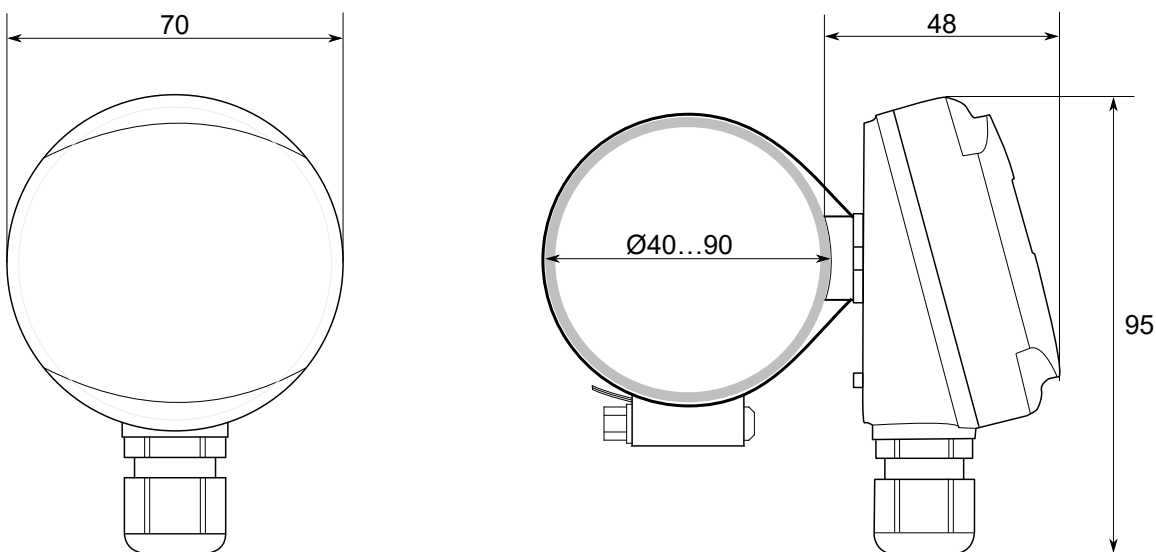
°C	Ω
5	25400
10	19900
15	15710
20	12490
25	10000
30	8054
35	6528
40	5323
45	4365
50	3600
55	2986

°C	Ω
60	2488
65	2082
70	1451
75	1480
80	1256
85	1071
90	916
95	787
100	679
110	511
120	389

Ordering information

Type	Product number	Description
TEP NTC 10	1175080	strap-on temperature sensor, 10 kΩ at 25 °C

Dimensions



Supported standards and directives

Standard	Description
2014/30/EU	Electromagnetic Compatibility (EMC).
2011/65/EU	Restriction of Hazardous Substances (RoHS2) Directive.
EN 61000-6-3:2007/ A1:2011	Electromagnetic compatibility (EMC) - Part 6-3: Generic standards - Emission standard for residential, commercial and light-industrial environments.
EN 61000-6-2:2006	Electromagnetic compatibility (EMC) - Part 6-2: Generic standards - Immunity for industrial environments.