

# AO-V-8 and AO-V-8-H

## SpaceLogic™ Plant Room Controllers

EcoStruxure™ Building



## 8-channel analog voltage output I/O modules

### Introduction

SpaceLogic\* AO-8 and AO-8-H Central IO modules are analog output, 8 channel I/O modules.

The analog outputs are capable of supporting analog voltage point types. Therefore, analog outputs support a wide range of devices, such as actuators.

\* Formerly known as SmartX.

### Function

#### Modular and scalable system

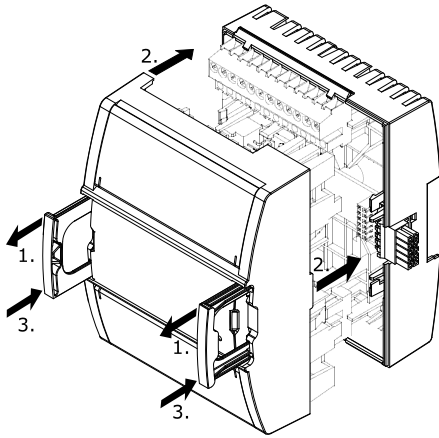
The modules are part of a modular system that delivers power and communications on a common bus. Connecting modules is a one-step process: just slide the modules together using the built-in connectors.

#### Patented two-piece design

Each module can be separated from its terminal base to allow the site to be wired prior to the installation of the electronics. The patented locking mechanism serves as handles for removing the

# AO-V-8 and AO-V-8-H

module from its base. All critical components have a protective cover that permits convection cooling to occur.



Two-piece design

## Hot-connect and Hot-swap

Because critical applications require 24-hour operation, Schneider Electric designed the Central IO modules for hot-connection of terminal bases and hot-swapping of the modules to their bases. This design ensures continuous power and communication during service operations.

## Auto-addressing

The auto-addressing feature helps eliminating the need for setting DIP switches or pressing commission buttons. Each module automatically knows its order in the chain and assigns itself accordingly – significantly reducing engineering and maintenance time.

## Simple DIN-rail installation

Fasteners easily snap into a locked position for panel installation. The fastener has a quick-release feature for easy DIN-rail removal.

## Specifications

### AO-V-8 and AO-V-8-H

Output channels	8
DC input supply power	0.7 W
DC input supply voltage	24 VDC
Environment	
Ambient temperature, operating	0 to 50 °C (32 to 122 °F)
Ambient temperature, storage	-20 to +70 °C (-4 to +158 °F)
Maximum humidity	95 % RH non-condensing

## Efficient terminal management

The Central IO module terminals are clearly labeled and protected by transparent covers. The input and output terminals are at the top and bottom of each module and are accessible for maintenance without removing the module. The EcoStruxure Building Operation WorkStation software can generate custom as-built labels for each module. Pre-perforated letter and A4 size label sheets are available as an accessory.

## Accommodates multiple row panel installations

The SpaceLogic devices use built-in connectors for single row connectivity, side by side. If a panel size requires multiple rows, extension cords are available.

## LED status indicators

The Central IO module has a status indicator that denotes the health and status of the module.

## Hand/Off/Auto switches

The front panel of the AO-8-V-H includes Hand/Off/Auto (HOA) switches to provide override control of the outputs.

Each output also has a potentiometer to modulate the output signal when the switch is in the Hand position.

The position of the HOA switch is readable through user interfaces, such as the EcoStruxure Building Operation WorkStation software, enabling more precise monitoring and control.

## Protection

Protection components on the analog outputs protect against high-voltage short-duration transient events.

The analog outputs have current limits to protect against permanent short-circuit to ground.

# AO-V-8 and AO-V-8-H

## Material

Plastic flame rating UL94-5VB

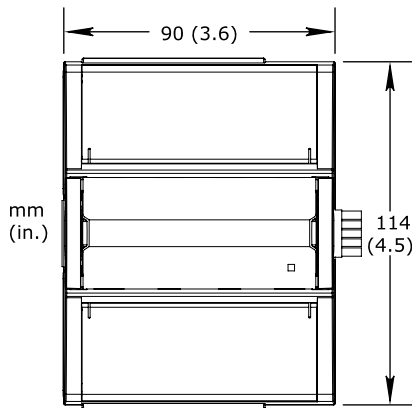
Enclosure PC/ABS

Ingress protection rating IP 20

## Mechanical

Dimensions including terminal base

90 W x 114 H x 64 D mm (3.6 W x 4.5 H x 2.5 D in.)



Weight including terminal base 0.279 kg (0.61 lb)

Weight excluding terminal base 0.156 kg (0.34 lb)

Terminal base TB-IO-W1

## Agency compliances

Emission RCM; BS/EN 61000-6-3; FCC Part 15, Sub-part B, Class B

Immunity BS/EN 61000-6-2

Safety standards BS/EN 61010-1; UL 916 C-UL US Listed

Product BS/EN 61326-1

Smoke control product safety UL 864

## Part numbers

AO-V-8, Central IO module  
8 analog voltage outputs SXWAOV8XX10001

AO-V-8-H, Central IO module with HOA switches  
8 analog voltage outputs with Hand/Off/Auto override switches SXWAOV8HX10001

TB-IO-W1, terminal base for Central IO module  
(Required for each Central IO module) SXWTBIOW110001

## Accessory part numbers

DIN-RAIL-CLIP, DIN-rail end clip  
package of 25 pieces SXWDINEND10001

PRINTOUT-A4-W1, printout sheets for terminal labels  
A4 sheet size, 100 sheets, 18 labels per sheet SXWTERLBL10011

# AO-V-8 and AO-V-8-H

PRINTOUT-LTR-W1, printout sheets for terminal labels  
Letter sheet size, 100 sheets, 16 labels per sheet

SXWTERLBL10012

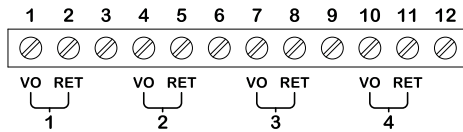
S-CABLE-L, S-cable extension cord for the I/O bus, L shaped connectors  
1.5 m

SXWSCABLE10002

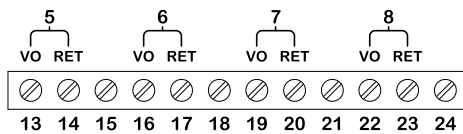
S-CABLE-L, S-cable extension cord for the I/O bus, L shaped connectors  
0.75 m

SXWSCABLE10003

## Analog outputs, AO



AO-V-8(-H)



## Voltage

Range

0 to 10 VDC

Accuracy

+/-100 mV

Resolution

42 mV

Minimum load resistance

5 kohm

Load range

-1 to +2 mA

Reliability check

Yes

For protection from excess current that could be produced by field wiring, follow these instructions:

- Connect one RET terminal on each of the Central IO modules to a common chassis/power ground rail in the control panel using a size 16 AWG (1.3 mm<sup>2</sup>), or larger wire.
- Individual 24 VDC power sources to the field must be current limited to maximum of 4 A for UL compliant installations, and no more than 6 A in other areas.
- For more information on wiring, see the SpaceLogic Hardware Reference Guide.

# AO-V-8 and AO-V-8-H

## Regulatory Notices



### Federal Communications Commission

FCC Rules and Regulations CFR 47, Part 15, Class B

This device complies with part 15 of the FCC Rules. Operation is subject to the following two conditions: (1) This device may not cause harmful interference. (2) This device must accept any interference received, including interference that may cause undesired operation.

### Industry Canada

This Class B digital apparatus complies with Canadian ICES-003.

Cet appareil numérique de la classe B est conforme à la norme NMB-003 du Canada.



### Regulatory Compliance Mark (RCM) - Australian Communications and Media Authority (ACMA)

This equipment complies with the requirements of the relevant ACMA standards made under the Radiocommunications Act 1992 and the Telecommunications Act 1997. These standards are referenced in notices made under section 182 of the Radiocommunications Act and 407 of the Telecommunications Act.



### UK Conformity Assessed

S.I. 2016/1091 - Electromagnetic Compatibility Regulations 2016

S.I. 2012/3032 - Restriction of the Use of Certain Hazardous Substances in Electrical and Electronic Equipment Regulations 2012

S.I. 2013/3113 - Waste Electrical and Electronic Equipment Regulations 2013

This equipment complies with the rules, of the UK regulations, for governing the UKCA Marking for the United Kingdom specified in the above directive(s).



### CE - Compliance to European Union (EU)

2014/30/EU Electromagnetic Compatibility Directive

2011/65/EU Restriction of Hazardous Substances (RoHS) Directive

2015/863/EU amending Annex II to Directive 2011/65/EU

This equipment complies with the rules, of the Official Journal of the European Union, for governing the Self Declaration of the CE Marking for the European Union as specified in the above directive(s).



### WEEE - Directive of the European Union (EU)

This equipment and its packaging carry the waste of electrical and electronic equipment (WEEE) label, in compliance with European Union (EU) Directive 2012/19/EU, governing the disposal and recycling of electrical and electronic equipment in the European community.



UL 916 Listed products for the United States and Canada, Open Class Energy Management Equipment. UL file E80146.



UL 864 Listed products for the United States. 10<sup>th</sup> Edition Smoke Control System. UL file S5527.

[www.se.com/buildings](http://www.se.com/buildings)

Life Is On

**Schneider**  
Electric